

QUICK SPECS

Weight	5,843 lbs
Horsepower	46 HP
Max Payload	5,512 lbs

Goes where lesser vehicles fear to tread.

Sometimes conditions make it impossible for ordinary pick-ups or dump trucks to even get to a jobsite. Swampy, soft ground, sand, snow, steep slopes and winding paths can bring a job to a halt. But the rugged, powerful C30R-3 all-terrain tracked carrier is purpose-built for just those conditions. The rubber-tracked, high-flotation, low-ground-pressure carrier productively operates in the toughest conditions, while also minimizing damage to environmentally sensitive areas. Which means there's almost no place you can't get to, and no job you can't get done.

INNOVATIVE FEATURES



YANMAR's Legendary Diesel Engine

For more than 100 years, YANMAR has been powering equipment on the world's farms and jobsites. The C30R-3 comes with a 46 HP, four-cylinder, water-cooled engine, renowned for both its power and fuel efficiency. Strong enough to navigate the toughest terrain without draining the checkbook.



Swivel Dump Option

The new C30R-3 comes with a swivel dump option. The swivel dump bed gives you increased reach to dump in a trench, increased maneuverability and smooth rotation of the vessel. The swivel motor is mounted on a slew ring and the vessel capacity is 1.96 yd³.



Reversible Operator's Seat

The operator's seat turns 180 degrees so the operator is always moving forward. This provides a safer work environment on mountain paths and other turn-restricted worksites. It also reduces damage to environmentally sensitive areas because there's no need to make skid turns.



C30R-3

POWERFUL, EFFICIENT WATER-COOLED, 4-CYLINDER 46 HP TIER 4 DIESEL ENGINE

SWIVEL DUMP OPTION

SMOOTH, AUTOMATIC HST TRANSMISSION

FOUR-PILLAR ROPS/FOPS CANOPY WITH RETRACTABLE SEAT BELT

58-DEGREE DUMPING ANGLE

FULL-OPENING HOOD FOR EASY ENGINE MAINTENANCE

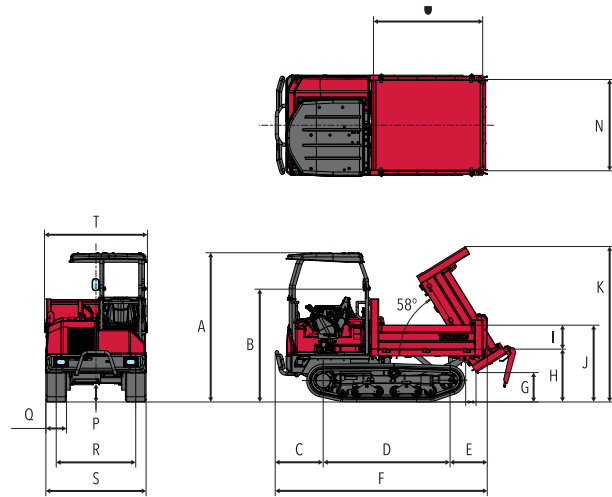
RUGGED CAPACITY FOR UP TO A 5,500-LB PAYLOAD



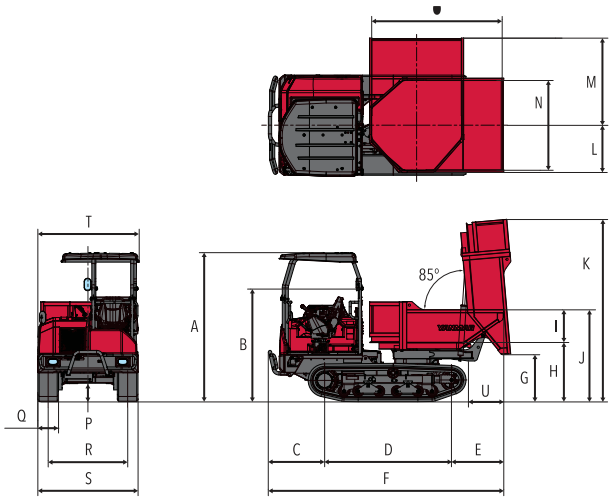
C30R-3

Dimensions - C30R-3 One Way Dump

Three-way Dump Vessel



Swivel Dump Vessel



Specifications

MM																					
	A	B	C	D	E	F	G	H	I	J	K	L	M	N	O	P	Q	R	S	T	U
Three-way Dump Vessel type	2,310	1,745	740	1,960	580	3,280	455	820	370	1,190	2,405	-	-	1,410	1,685	265	320	1,230	1,550	1,590	180
Swivel Dump Vessel type			870		810	3,640	730	920	505	1,425	2,820	730	1,350	1,390	2,010	280				1,565	545

FT, IN																					
	A	B	C	D	E	F	G	H	I	J	K	L	M	N	O	P	Q	R	S	T	U
Three-way Dump Vessel type	7'7"	5'9"	2'5"	6'5"	1'11"	10'9"	1'6"	2'8"	1'2"	3'10"	7'10"	-	-	4'8"	5'6"	10"	10'6"	4'0"	5'1"	5'2"	7"
Swivel Dump Vessel type			2'10"		2'8"	11'11"	2'5"	3'0"	1'8"	4'8"	9'3"	2'5"	4'5"	4'7"	6'7"	11"				5'1"	1'9"

Model	C30R-3	
Dump vessel type	One-way dump type	Swivel-dump type
Shape of Vessel	Box-shape	V shape
Operating Weight	Net, unloaded	lbs (kg)
Engine	Type	-
	Model	-
	Output	HP (kW)
Transmission	-	-
Undercarriage	Track Type	-
	Track Width	ft-in (mm)
	Min. Ground Clearance	ft-in (mm)
	Ground Contact Pressure	w/o load PSI (kPa)
		w/ load PSI (kPa)
Performance	Max. Payload	lbs (kg)
	Max. Dumping Angle	degrees
	Dump Clearance	ft-in (mm)
	Dump Body Capacity	Struck yd³ (m³)
		Heaped yd³ (m³)
	Travel Speed	Forward mph (km/h)
		Reverse mph (km/h)

© 2020 YANMAR America Corp. / CE-C30R-3-0720



For parts, please visit YANMAR.com/us/products/parts/ or call 800.966.7685.