

ML20I/ML25I

MATERIAL LIFTS



- A high specification material lift with heavy-duty load capacity
- Narrow design to maneuver through a standard doorway without tilting back
- Robust, industrial grade design
- Features a dual handle, shift-on-the-fly, two-speed winch for improved productivity

 **snorkel**™
www.snorkellifts.com

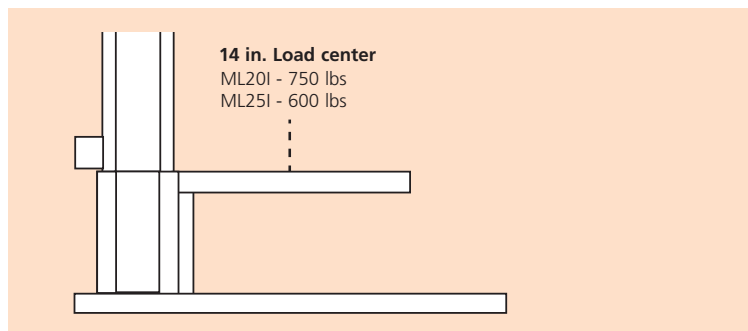
MATERIAL LIFTS

| DIMENSIONS | ML20I | ML25I |
|-----------------------------|------------|-------------|
| Lift height – forks up | 20 ft 3 in | 24 ft 11 in |
| Lift height – forks down | 18 ft 6 in | 23 ft 2 in |
| Stowed width (A) | 30.5 in | 30.5 in |
| Stabilizer width (B) | 5 ft 4 in | 5 ft 4 in |
| Stowed length | 6 ft 5 in | 6 ft 5 in |
| Operating length (C) | 6 ft 3 in | 6 ft 3 in |
| Stowed height (D) | 6 ft 2 in | 6 ft 2 in |
| Fork width (outside) | 23 in | 23 in |
| Fork length (E) | 30 in | 30 in |
| Ground clearance | 2.5 in | 2.5 in |

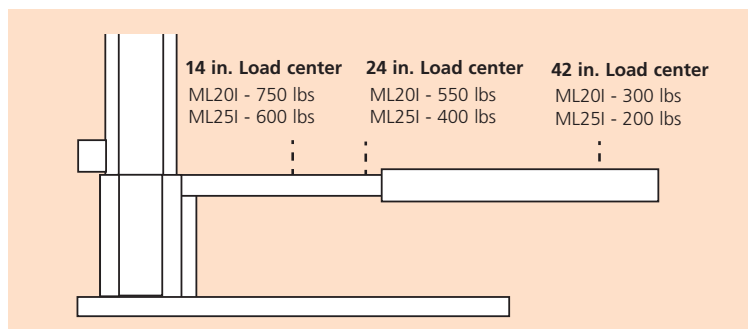
| PERFORMANCE | ML20I | ML25I | |
|---|---------|--------------|------|
| Max. load capacity (14" load center) | 750 lbs | 600 lbs | |
| Max. load capacity (24" load center) | 550 lbs | 400 lbs | |
| Max. load capacity (42" in load center) | 300 lbs | 200 lbs | |
| Min. load height | 6 in | 6 in | 6 in |
| Winch (high speed) | | 4 cranks/ft | |
| Winch (low speed) | | 15 cranks/ft | |

| WEIGHT | ML20I | ML25I |
|--------|---------|---------|
| Weight | 332 lbs | 368 lbs |

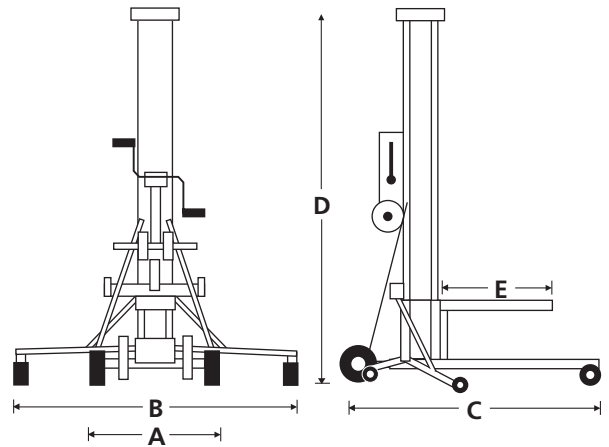
LOAD CAPACITY - STANDARD FORKS



LOAD CAPACITY - EXTENDED FORKS



ML20I/ML25I



STANDARD FEATURES

- Stabilizers with non-marking swivel casters
- Mast brake
- Cable guard
- Quick-fold stabilizers
- Non-marking transport/loading wheels
- Dual handle, two-speed shift-on-the-fly winch
- Metal cable pulleys with sealed bearings
- Heavy gauge aluminum extrusions
- Heavy duty, non-marking casters
- Crane attachment point
- 2 year parts & labor, 5 year structural warranty
- ANSI compliant

OPTIONS

- Special paint colors
- Adjustable forks
- Fork extensions
- Boom
- Pipe cradle
- Load platform



P.O. Box 1160
 St. Joseph, MO 64502-1160, USA
 Tel: 1 (785) 989-3000
 Toll-free: 1 (800) 255-0317
 Fax: 1 (785) 989-3070
 Email: sales.usa@snorkellifts.com