

ML5I/ML10I/ML15I

MATERIAL LIFTS



- A high specification material lift with heavy-duty load capacity
- Narrow design to maneuver through a standard doorway without tilting back
- Robust, industrial grade
- Features a dual handle, shift-on-the-fly, two-speed winch for improved productivity

 **snorkel**[™]
www.snorkellifts.com

MATERIAL LIFTS

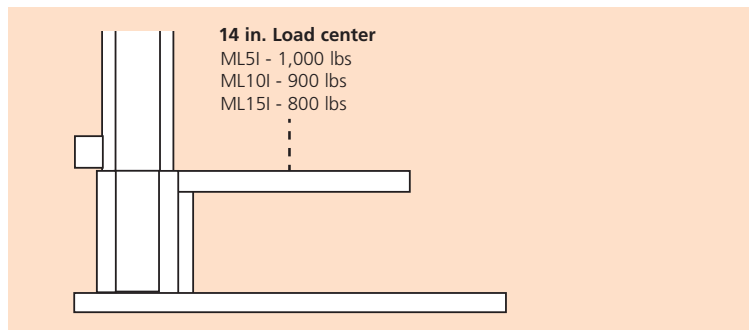
ML5I/ML10I/ML15I

DIMENSIONS	ML5I	ML10I	ML15I
Lift height – forks up	6 ft 5 in	11 ft	15 ft 8 in
Lift height – forks down	4 ft 8 in	9 ft 4 in	13 ft 11 in
Stowed width (A)	30.5 in	30.5 in	30.5 in
Stabilizer width (B)	5 ft 4 in	5 ft 4 in	5 ft 4 in
Stowed length	2 ft 9 in	2 ft 9 in	2 ft 9 in
Operating length (C)	5 ft 2 in	5 ft 2 in	5 ft 7 in
Stowed height (D)	6 ft 3 in	6 ft 3 in	6 ft 3 in
Fork width (outside)	23 in	23 in	23 in
Fork length (E)	30 in	30 in	30 in
Ground clearance	2.5 in	2.5 in	2.5 in

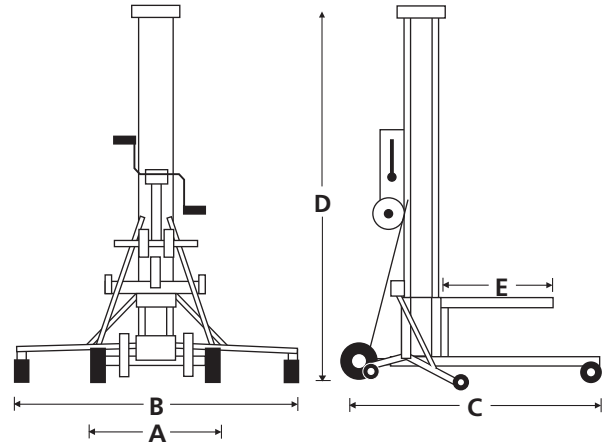
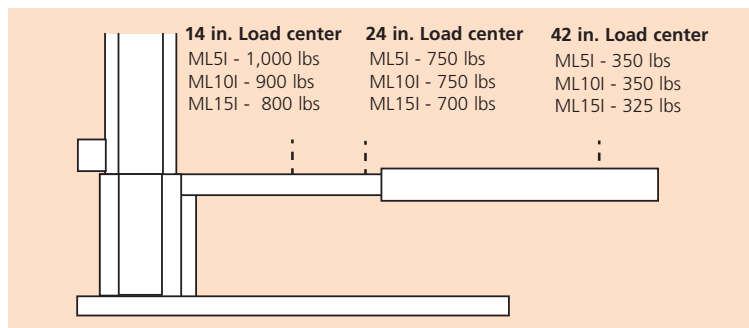
PERFORMANCE	ML5I	ML10I	ML15I
Max. load capacity (14" load center)	1,000 lbs	900 lbs	800 lbs
Max. load capacity (24" load center)	750 lbs	750 lbs	700 lbs
Max. load capacity (42" in load center)	350 lbs	350 lbs	325 lbs
Min. load height	6 in	6 in	6 in
Winch (high speed)		4 cranks/ft	
Winch (low speed)		15 cranks/ft	

WEIGHT	ML5I	ML10I	ML15I
Weight	197 lbs	234 lbs	270 lbs

LOAD CAPACITY - STANDARD FORKS



LOAD CAPACITY - EXTENDED FORKS



STANDARD FEATURES

- Mast brake
- Cable guard
- Quick-fold stabilizers
- Non-marking transport/loading wheels
- Dual handle, two-speed shift-on-the-fly winch
- Metal cable pulleys with sealed bearings
- Heavy gauge aluminum extrusions
- Heavy duty, non-marking casters
- Crane attachment point
- 2 year parts & labor, 5 year structural warranty
- ANSI compliant

OPTIONS

- Special paint colors
- Adjustable forks
- Fork extensions
- Boom
- Pipe cradle
- Load platform
- Straddle base

snorkel www.snorkellifts.com

P.O. Box 1160
 St. Joseph, MO 64502-1160, USA
 Tel: 1 (785) 989-3000
 Toll-free: 1 (800) 255-0317
 Fax: 1 (785) 989-3070
 Email: sales.usa@snorkellifts.com