

QUICK SPECS

Weight (Cabin)	9,515 lbs
Horsepower	39 HP
Max Dig Depth	11'10"

Get the job done right with best-in-class performance.

YANMAR's SV40, our 4-ton class mini excavator, is powered by a 39 HP Tier 4 Final YANMAR engine. It is a game changer amongst compact excavators with best-in-class power, digging force and lifting capacity for work on construction, utility, and landscaping applications. The SV40 is our most technologically advanced mini excavator and was designed specifically for the North American market. With its 3-pump hydraulic system, it has a separate pump to transfer power to attachments with high efficiency. The SV40 is built to work effectively with options for a second PTO function, 4- or 6-way blade and an additional counterweight, so it has everything for you to get the job done right.



SV40

**POWERFUL, EFFICIENT
39-HP TIER 4 FINAL
YANMAR DIESEL ENGINE**

**ULTRA-TIGHT TURNING
FOR CONFINED SPACES**

**VIPPS (VIO PROGRESSIVE
3-PUMP HYDRAULIC
SYSTEM)**

**JOYSTICK CONTROLS
WITH CONTROL PATTERN
STANDARD**

**SPRING STEEL
CYLINDER ROD GUARDS
AND HOSE PROTECTION**

**INTEGRATED BOOM
LIGHT PROTECTS
FROM DAMAGE**

**ANGLED CRAWLER FRAME
REDUCES FOREIGN
MATTER BUILD-UP**

**TRAVELING ALARM
SIGNALS WHEN
MACHINE IS MOVED**

**CAB AND CANOPY WITH 4
POST ROPS AVAILABLE**

**ECO & AUTO-DECEL
MODES STANDARD**

**ADDITIONAL
COUNTERWEIGHT
AVAILABLE**

**4- OR 6- WAY BLADE
OPTION AVAILABLE**

INNOVATIVE FEATURES



YANMAR's Patented Hydraulic Quick Coupler

The standard hydraulic quick coupler makes changing buckets fast and easy. With the exception of fitting and removing the safety lock pin, the entire operation is performed electronically while you're seated in the comfort of the cab. Less hassle. Less downtime. More productivity.



PTO2 Option

The SV40 comes with the option of a second PTO. For more versatility, add the second Auxiliary Circuit and have full flexibility of two sources of hydraulic flow for attachments such as rotating grapples, thumb/mulching combos and more.

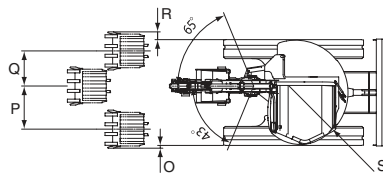


A Cab With Everything At Your Fingertips

The SV40 comes standard with ECO Mode, Auto-Decel Mode, a lever controlled backfill blade with float position and 2-speed operation incorporated right into the operator's station. Plus, you get an innovative LCD monitor, showing key operating information and maintenance notification intervals. Cab comes installed with speakers and is pre-wired for radio.

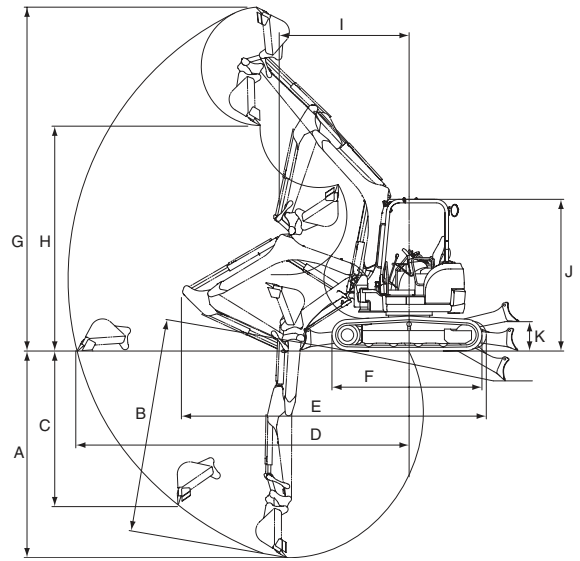
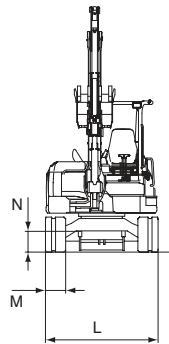


SV40



Dimensions - SV40

A 11'4" (3,440)	K 18" (460)
B 11'10" (3,610)	L 5'8" (1,740)
C 8'6" (2,610)	M 14" (350)
D 18" (5,500)	N 13.5" (345)
E 15'9.5" (4,810)	O 2.5" (65)
F 7'3" (2,230)	P 2'1" (635)
G 17'6" (5,350)	Q 23" (588)
H 11'11" (3,641)	R .5" (14)
I 7'6" (2,280)	S 3'2" (990)
J 8'2" (2,540)	



Specifications

Model			SV40	
Type			Canopy	Cabin
Operating Weight	Rubber Track	lbs (t)	9,206 (4.18)	9,515 (4.32)
	Steel Track	lbs (t)	9,493 (4.31)	9,801 (4.45)
Engine	Type	-	Water-cooled 4-cylinder diesel	
	Model	-	YANMAR 4TNV88C-PBV1	
	Output	HP (kW)/rpm	39.0 / 2,400 (29.1 / 2,400)	
Performance	Max Digging Force, Bucket / Arm	lbs (kN)	7,209 (32.08)* / 4,211 (18.73)	
	Traveling Speed, High / Low	MPH (km / h)	2.9 / 1.5 (4.6 / 2.4)	
	Swing Speed	RPM	10	
	Boom Swing Angle, (L / R)	degrees	43° / 65°	
Ground Contact Pressure	Rubber Track	PSI (kPa)	4.5 (31)	4.64 (33)
	Steel Track	PSI (kPa)	4.63 (31.9)	4.79 (33)
Hydraulic System	Pump Capacity	GPM (L / min)	11.2 + 11.2 + 9.7 + 2.8 (42.5 + 42.5 + 37 + 10.8)	
	Main Relief Set Pressure	PSI (MPa)	3,553 x 2 + 3,133 + 566 (24.5 x 2 + 21.6 + 3.9)	
Blade Dimensions	Width x Height	ft-in (mm)	68" x 15.2" (1,740 x 385)	
Fuel tank capacity		Gals (L)	14.8 (55)	

* with quick coupler

Standard Equipment

- Blade
- Boom Swing
- Rubber Tracks
- Hydraulic Quick Coupler*
- 2-way Pattern Control
- Diverter Valve
- Cylinder Rod Guards (boom, arm, bucket, blade)
- ROPS / FOPS Cabin or Canopy
- Windshield Washer (cabin spec)
- Defroster (cabin spec)
- Joystick Pilot Controls
- Arm Rests (adjustable)
- Suspension and Reclining Seat
- Seat Belt
- Traveling Levers and Pedals
- Traveling Alarm
- Built-in Type Boom Light
- Exterior Canopy or Cabin Work Light
- Operation Manual

*Also available without Quick Coupler.

Please note that the standard equipment may vary from this list. Consult your YANMAR dealer for confirmation.

Hydraulic PTO

Model		SV40		
Specification	Output	PSI (MPa)	GPM (L / min)	
			2,200RPM	1,200RPM
Combined Flow, Double Actions		3,553 (24.5)	PTO1 19.1 (72.2) PTO2 10.2 (38.8)	PTO1 11.4 (43.3)

Lifting Capacity

LIFT POINT HEIGHT in (mm)	(R) LIFT RADIUS in (mm)											
	RATED LIFT CAPACITY OVER END BLADE DOWN				RATED LIFT CAPACITY OVER END BLADE UP				RATED LIFT CAPACITY OVER SIDE BLADE DOWN			
	lbs (kg)				lbs (kg)				lbs (kg)			
	MAX	157.5 (4,000)	118.1 (3,000)	78.7 (2,000)	MAX	157.5 (4,000)	118.1 (3,000)	78.7 (2,000)	MAX	157.5 (4,000)	118.1 (3,000)	78.7 (2,000)
157.5 (4,000)	1,719 (780)				1,697 (770)				1,763 (800)			
118.1 (3,000)	1,719 (780)	1,675 (760)			1,168 (530)	1,322 (600)			1,146 (520)	1,300 (590)		
78.7 (2,000)	1,763 (800)	1,851 (840)	2,160 (980)		970 (440)	1,256 (570)	2,072 (940)		970 (440)	1,278 (580)	2,116 (960)	
39.4 (1,000)	1,829 (830)	2,160 (980)	2,976 (1,350)		947 (430)	1,212 (550)	1,829 (830)		925 (420)	1,190 (540)	1,807 (830)	
Ground (0)	1,940 (880)	2,358 (1,070)	3,395 (1,540)	5,665 (2,570)	970 (440)	1,190 (540)	1,741 (790)	2,998 (1,360)	1,565 (710)	1,168 (530)	1,697 (770)	2,848 (1,290)
-39.4 (-1,000)	2,028 (920)	2,182 (990)	3,284 (1,490)	5,467 (2,480)	1,146 (520)	1,212 (550)	1,763 (800)	3,064 (1,390)	1,102 (500)	1,146 (520)	1,675 (760)	2,888 (1,310)
-78.7 (-2,000)	1,984 (900)		2,314 (1,050)	4,453 (2,020)	1,653 (750)		1,829 (830)	3,174 (1,440)	1,565 (710)		1,719 (780)	2,976 (1,350)

© 2020 YANMAR America Corp. / CE-SV40-0720



For parts, please visit YANMAR.com/us/products/parts/ or call 800.966.7685.