

SR1331

ROUGH TERRAIN TELEHANDLER



- Full-time 4 wheel drive
- Fully enclosed cab
- Power assisted steering
- Proportional joystick
- Simple to operate & maintain

 **snorkel**™

www.snorkellifts.com

ROUGH TERRAIN TELEHANDLER

SR1331

CAPABILITIES SR1331*

Max. lift capacity	13,000 lbs
Max. lift height (A)	31 ft 2 in
Max. forward reach	17 ft 8 in

DIMENSIONS

Overall width (B)	7 ft 7 in
Stowed height (C)	8 ft 5 in
Length to fork face (D)**	19 ft 6 in
Wheelbase	9 ft 7 in
Ground clearance	16 in

PERFORMANCE

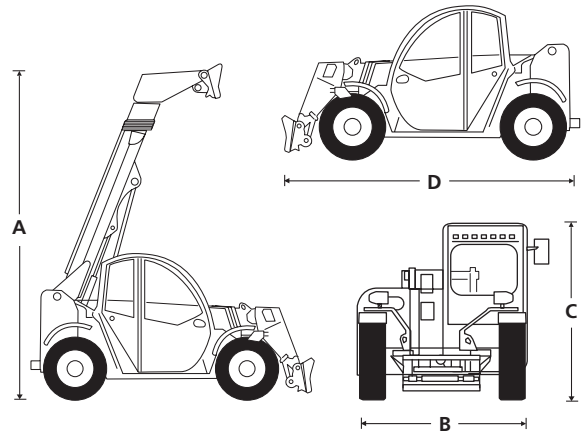
Max. drive speed	25 mph
Raise/lower time	20/14 sec
Frame leveling	10°
Hydraulic flow (per minute)	26 gal
Hydraulic pressure	3,336 psi
Hydraulic oil capacity	40 gal
Fuel capacity	21 gal
Outside turning radius	14 ft 9in
Tires	445/65 R22.5"

POWER

Power source	Deutz TCD 3.6L Tier 4 Final diesel 100hp
--------------	--

WEIGHT

Weight	25,250 lbs
--------	------------



STANDARD FEATURES

- Full time 4 wheel drive
- 4 wheel steer
- Selectable front, crab & coordinated steering modes
- Auxiliary hydraulic circuit on the boom
- Variable speed hydrostatic drive
- Fully enclosed cab with air conditioning
- Proportional joystick
- Adjustable steering column
- Illuminated gauge and switch panels
- Color LCD display with machine & engine diagnostics
- Block heater
- Constant flow
- Adjustable suspension seat
- Flashing beacon
- LED road lights (4)
- LED work lights on boom (2)
- Fixed 48" carriage
- 48" pallet forks
- 2 year parts & labor, 5 year structural warranty
- ANSI compliant

OPTIONS

- Special paint colors
- Multiple options for carriages, tires and fork tines
- Cold weather synthetic oil
- Swivel hook
- Hydraulic tank heater
- Battery heater tray
- Universal skidsteer attachments

snorkel www.snorkellifts.com

P.O. Box 1160
 St. Joseph, MO 64502-1160, USA
 Tel: 1 (785) 989-3000
 Toll-free: 1 (800) 255-0317
 Fax: 1 (785) 989-3070
 Email: sales.usa@snorkellifts.com

LOAD CHART

