

S2770RT/S3370RT/S3970RT

COMPACT ROUGH TERRAIN SCISSOR LIFTS



- Compact diesel rough terrain scissor lifts
- Excellent rough terrain performance
- Hydraulic outriggers with automatic levelling
- Roll-out deck extension for extra reach
- Ideal for outdoor work in confined spaces

 **snorkel**[™]
www.snorkellifts.com

COMPACT RT SCISSOR LIFTS

S2770RT/S3370RT/S3970RT

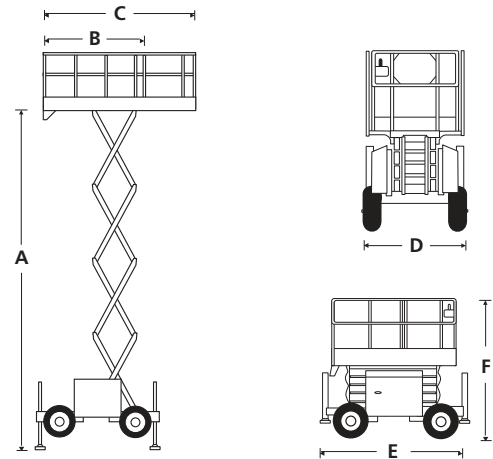
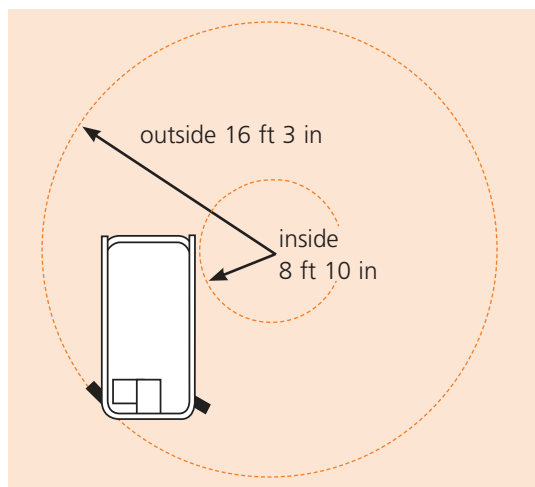
DIMENSIONS	S2770RT	S3370RT	S3970RT
Max. working height	33 ft	39 ft	45 ft
Max. platform height (A)	27 ft	33 ft	39 ft
Platform size (stowed) (B)	9 ft 8 in x 5 ft 2 in		
Platform size (extended) (C)	13 ft 1 in x 5 ft 2 in		
Extension deck length	4 ft	4 ft	4 ft
Overall width (D)	5 ft 10 in	5 ft 10 in	5 ft 10 in
Overall length (E)	11 ft	11 ft	11 ft
Stowed height (F)	8 ft 7 in	9 ft	9 ft 8 in
Min. height (guardrails folded)	6 ft	6 ft 6 in	7 ft
Ground clearance	13 in	13 in	13 in

PERFORMANCE	S2770RT	S3370RT	S3970RT
Platform capacity (SWL)	1,250 lbs	1,000 lbs	771 lbs
Max. drive height	27 ft	33 ft	39 ft
Max. wind speed	28 mph	28 mph	28 mph
Max. drive speed (stowed)	2.8 mph	2.8 mph	2.8 mph
Max. drive speed (elevated)	0.3 mph	0.2 mph	0.2 mph
Raise/lower time	26/30 sec	50/60 sec	50/60 sec
Gradeability	35%	35%	35%
Max. stabilizer levelling, front to rear	6°	6°	6°
Max. stabilizer levelling, side to side	10°	10°	10°
Inside turning radius	8 ft 10 in	8 ft 10 in	8 ft 10 in
Outside turning radius	16 ft 3 in	16 ft 3 in	16 ft 3 in
Tires	27 x 10.5 -15, non-marking foam filled		
Controls	proportional joystick		
Drive system	4 wheel drive		

POWER	S2770RT	S3370RT	S3970RT
Power source	Kubota D-902 water cooled diesel 22.5 hp - Tier 4 Final		

WEIGHT	S2770RT	S3370RT	S3970RT
Weight	6,172 lbs	7,980 lbs	8,355 lbs

TURNING RADIUS



STANDARD FEATURES

- 4 wheel drive
- Roll-out deck extension
- 4 hydraulic stabilizers with automatic leveling
- Non-marking foam filled tires
- Proportional controls
- Power line to platform
- Drive motion alarm
- Descent alarm
- Fold-down guardrails
- Flashing amber lights (2)
- Articulating axle
- Hour meter & on-board diagnostics display
- Manual lowering valve
- Dual lanyard attachment points
- 2 year parts & labor, 5 year structural warranty
- ANSI compliant

OPTIONS

- Special paint colors
- Hydraulic generator 110V 2kW
- Dual fuel
- Nylon spreader pads (set of 4)
- Environmental hydraulic oil
- Cold weather package (block heater + battery warm up)

snorkel www.snorkellifts.com

P.O. Box 1160
St. Joseph, MO 64502-1160, USA
Tel: 1 (785) 989-3000
Toll-free: 1 (800) 255-0317
Fax: 1 (785) 989-3070
Email: sales.usa@snorkellifts.com